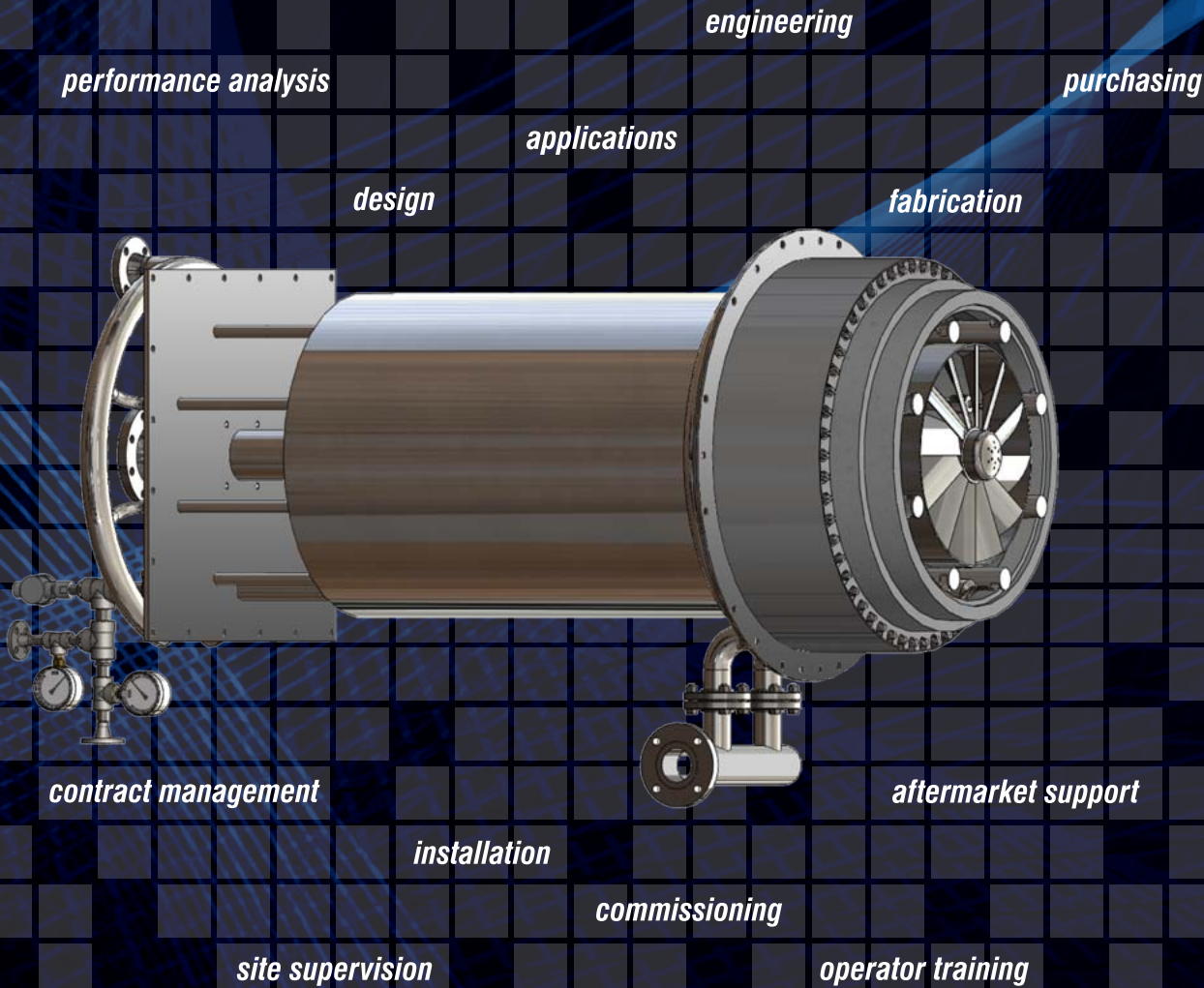




TURNKEY BOILER BURNER SOLUTIONS



COMBUSTION AND ENVIRONMENTAL SOLUTIONS.
PURE AND SIMPLE.®

BURNERS

FLARES

INCINERATORS

PARTS & SERVICE

TURNKEY BOILER BURNER SOLUTIONS

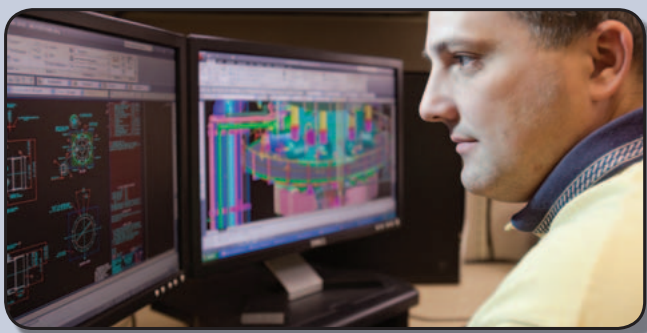
Upgrading just got easier.

Whether you're converting a plant to natural gas to comply with new regulations, capitalizing upon an opportunity fuel for cost savings, or retrofitting your system with a new burner, you know the contract and upgrade process can be a real headache. Managing an array of system engineers and contractors, struggling to keep the project on time and on budget, and dealing with unpleasant surprises—all can result in significant business losses (not to mention more overtime for you).

Let Zeeco eliminate the hassles by assuming **single-point responsibility** for your combustion system upgrade. In a Zeeco OEM Turnkey Solution, there are no contractual layers between the customer, the OEM burner equipment supplier and the contractors. It's a single team. A single vision. A singular commitment to your success. All backed by the engineering experience of the worldwide leader in combustion solutions.

Avoid burning time (and money).

With a Zeeco Turnkey Boiler Burner Solution, our experienced project management team is responsible for all phases of the project, from engineering and designing the most cost-effective solution, to the equipment purchase process, through fabrication, testing, site supervision, installation, checkout, commissioning and operator training.



Simply put, our solution eliminates all the layers that can lead to lost time and cost overruns. Zeeco manages all of the engineering and design, equipment suppliers and contract installation teams. We utilize your preferred local site contractors to perform the installation. Not only are they accessible and cost-effective, but they know your plant and procedures, plus have a vested interest in your long-term success.

ZEECO On-Site Training and Installation



Because all project phases are handled by one team, with a single vision, there are no shortcuts. No compromises. No disconnects. And with Zeeco "handling the details," your own resources—engineers, time and dollars—are available for other operational needs.

With our Turnkey Solution, you will have a single point of contact throughout the entire project and the full support of Zeeco, 24/7. You'll find this dramatically streamlines the process, condenses the timeframe and results in a much more cost-effective, transparent solution



Burner Management System Enclosure

GLSF Ultra-Low NO_x Free-Jet Boiler Burner



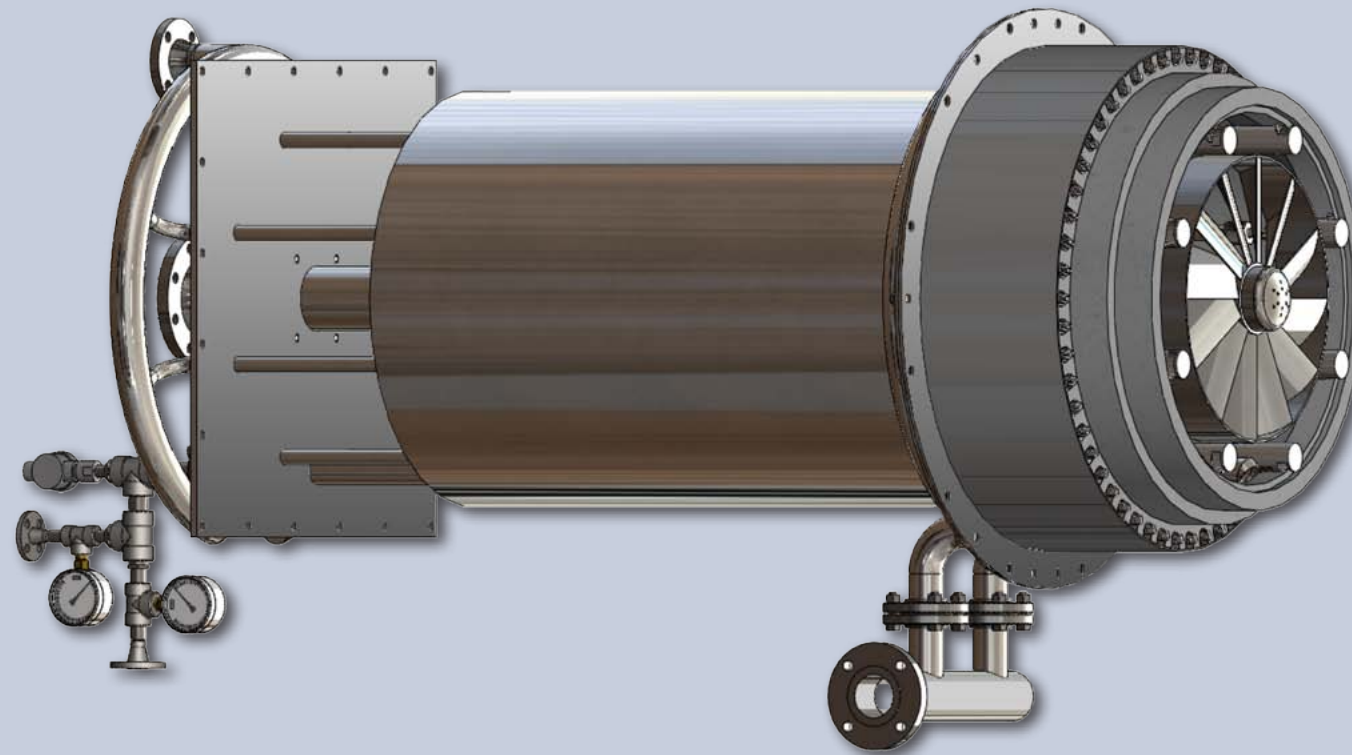
Fuel Valve Train System



Single-Point Responsibility

Our Turnkey Boiler Burner Solutions include:

- Design
- Engineering
- Safety Analysis and Assurance
- Contract Management
- Equipment Purchasing
- Fabrication
- Site Supervision
- Installation
- Checkout
- Commissioning
- Operator Training



Our approach.

Each Zeeco Turnkey Solution begins with a pre-bid phase analysis including a comprehensive site review. Our experienced team selects the ideal equipment and develops contractor bid specifications that detail every step of the project. The result is the most complete proposal in the business, completely devoid of hidden ongoing expenses that could otherwise lead to significant wasted expense and adders.

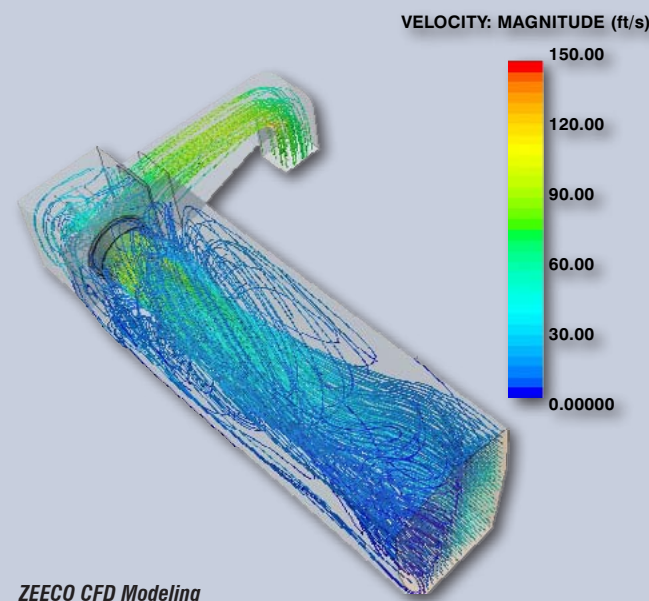
Once a contract is finalized and awarded, our team focuses on ensuring the project's success, down to the most intricate detail. Zeeco supplies all labor, on-site supervision, tools, equipment, consumables, safety equipment, piping, tubing, hangers, supports, structural steel, wiring, conduit, cable tray, junction boxes and any other miscellaneous materials and support services required to complete the installation.

You will have a Zeeco On-Site Project Manager whose job is to ensure the safe and proper installation of all equipment and to maintain the set project schedule. This manager will be your on-site contact from the beginning of the installation all the way through to final commissioning. Following a complete system checkout, your Zeeco Project Manager will commission, and then turn over, a fully operational system to you and your in-house team.

Better operational results.

When you rely on Zeeco for our comprehensive turnkey service, you are spared the hassles of "minute-to-minute" management and can rest assured that every detail is being monitored and addressed by our experienced project management team.

The experienced Zeeco engineering group goes the extra mile with each and every boiler burner project, using state-of-the-art practices such as Physical Flow Modeling and advanced Computational Fluid Dynamics (CFD) to model your specific conditions against the actual equipment design. With more stringent emissions regulations on the horizon, it's critical to know where every pound of air and fuel enters the burner. Our solution will ensure you have the most effective burner design and are prepared for future regulations.



Zeeco's worldwide experience provides further assurance that we will be familiar with your project's requirements, regulations and operating environment, wherever your facilities may be. From design to fabrication to installation, you can breathe easy knowing that Zeeco is 100% committed to world-class safety practices.

Our turnkey projects are a true team effort. Zeeco brings worldwide combustion experience, and you bring the full knowledge and understanding of your systems that comes from operating your facility year in and year out. Sharing your system's strengths and weaknesses allows us to better design a combustion system that performs on all fronts—not just those related to emissions.





The Zeeco difference.

Zeeco is the worldwide leader in combustion solutions. We are a privately held company whose ownership stays highly involved in daily operations. Our only business is the combustion business. Our Combustion Research and Test Facility was the first in the world to become ISO 9001-2000 certified, and our staff strives to stay ahead of rapidly changing emission requirements. With 21 test units (15 furnaces and 6 flares), Zeeco is capable of testing a wide variety of combustion systems under simulated field conditions.



ZEECO Combustion Research and Test Facility

We are confident that you will thoroughly enjoy the many advantages of working with the flexible, innovative company that is Zeeco. Call or e-mail us today to request a quote or to learn more about our proprietary combustion systems.



ZEECO Headquarters on 250 acres (1 km²)



BURNERS



FLARES



THERMAL OXIDIZERS



PARTS & SERVICE



**COMBUSTION AND ENVIRONMENTAL SOLUTIONS.
PURE AND SIMPLE.®**

Zeeco Corporate Headquarters
22151 East 91st Street
Broken Arrow, Oklahoma 74014 USA
Phone: +1.918.258.8551 Fax: +1.918.251.5519
E-mail: sales@zeeco.com

Zeeco Connecticut
80 Spring Lane
Plainville, Connecticut 06062 USA
Phone: +1.918.258.8551
E-mail: zeeco_connecticut@zeeco.com

zeeco.com



CERTIFICATIONS APPLY TO ZEECO HEADQUARTERS.

ZEECO® is a registered trademark of Zeeco, Inc. in the U.S.

● ZEECO office, affiliate, sales, representative, or third party representative/licensee offices.

© 2011 COPYRIGHT ZEECO, INC. ALL RIGHTS RESERVED

