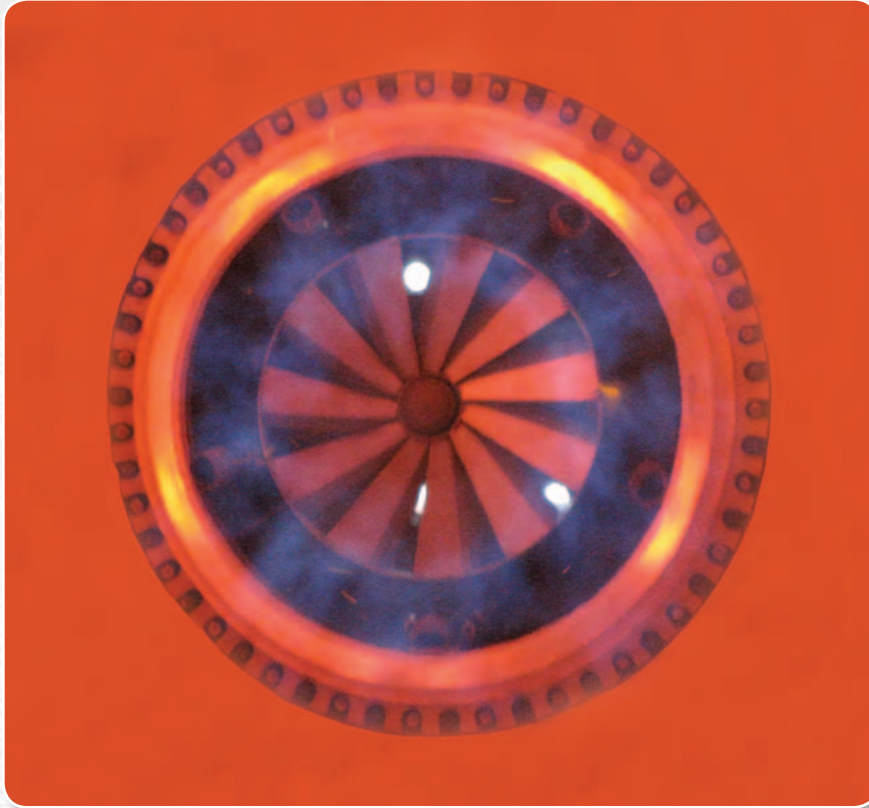




FREE-JET BOILER BURNER

COMBUSTION AND ENVIRONMENTAL SOLUTIONS.
PURE AND SIMPLE.®

GLSF Series



ZEECO is a solutions-oriented company that combines proven, innovative technology with our extensive experience in the design, fabrication and operation of combustion equipment. Reliability is essential for profitable plant operations, so at Zeeco, we use only the highest quality components in order to maximize service life and eliminate unnecessary downtime.

Free-Jet Boiler Burner

DESCRIPTION

The ZEECO® Free-Jet boiler burner uses our GLSF Free-Jet burner technology—an incredibly advanced next generation ultra-low emissions boiler burner.

TECHNOLOGY

The Zeeco GLSF Free-Jet boiler burner is the next generation of boiler burner technology. This low-maintenance, highly reliable technology is cutting edge and inherently safe, giving Zeeco's Free-Jet boiler burner market advantage by design. Zeeco's Free-Jet technology entrains the flue gas from inside the boiler using the fuel gas' jet energy, thereby diluting the fuel gas with inert gases to efficiently reduce thermal NO_x.



BURNERS



FLARES



INCINERATORS



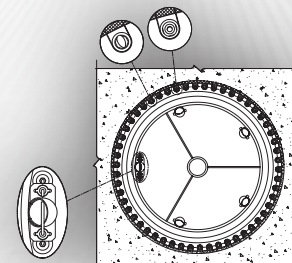
PARTS & SERVICE

COMBUSTION AND ENVIRONMENTAL SOLUTIONS.
PURE AND SIMPLE.®

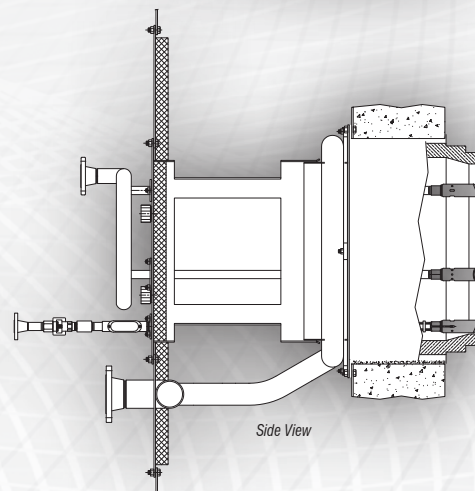
Free-Jet Boiler Burner

DESIGN FEATURES

- Ultra-Low NO_x (less than 10 ppmv with minimal external FGR)
- Stable flame over a wide range of conditions
- Turndown of 10:1 or greater
- Fires liquid, gaseous, and opportunity fuels
- Utilizes internal flue gas entrainment
- Low excess air, low CO, and smaller CO₂ footprint
- Low maintenance costs & high reliability
- No moving parts—axial airflow
- Robust, compact design makes this burner a great choice for retrofit applications
- Inherently safe, with separation of air and fuel
- Applicable to all boiler designs
- Simple controls
- Heat releases to 360+MMBtu/hr per burner



Top View



Side View

Trust Zeeco with Your Boiler Burner Needs

Zeeco has provided combustion and environmental solutions around the world for more than 30 years. Let us put our experience to work for you. Call us today for more information on Zeeco's full line of boiler burner products and service as well as turnkey retrofit solutions.

CERTIFICATIONS APPLY TO ZEECO HEADQUARTERS ONLY.



CERTIFIED
NBBI



CERTIFIED
ASME



CERTIFIED
ASME



REGISTERED
ISO 9001: 2008

Zeeco Corporate Headquarters

22151 East 91st Street

Broken Arrow, Oklahoma 74014 USA

Phone: +1.918.258.8551

Fax: +1.918.251.5519

E-mail: sales@zeeco.com

zeeco.com

ZEECO® is a registered trademark of Zeeco, Inc. in the U.S.

• ZEECO office, affiliate, sales, representative, or third party representative/licensee offices.

© COPYRIGHT 2011 - ZEECO, INC. ALL RIGHTS RESERVED

