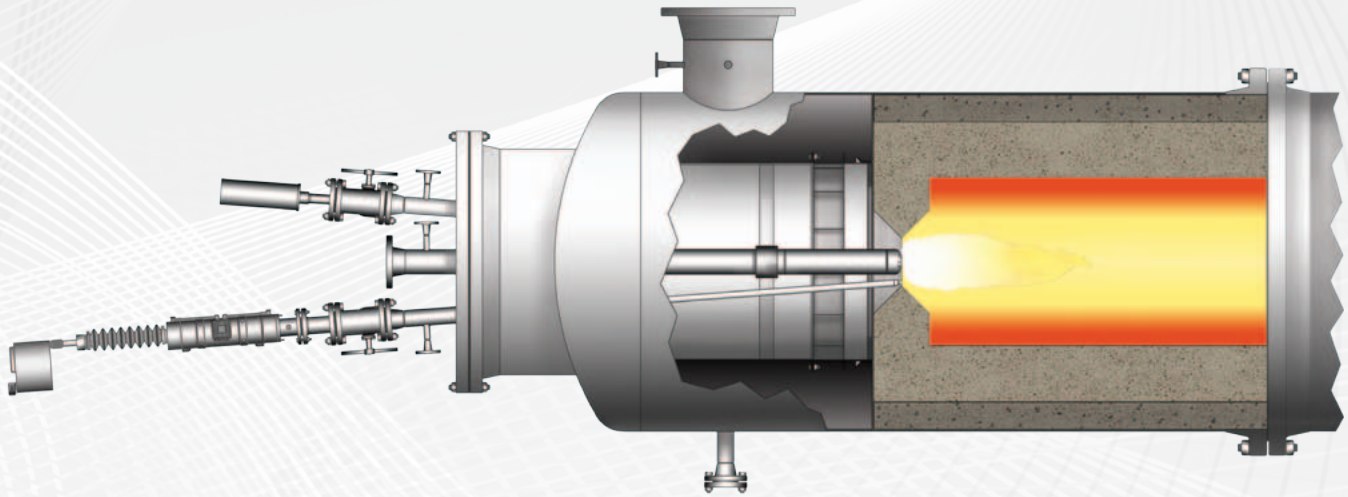




HIGH-INTENSITY BURNER

COMBUSTION AND ENVIRONMENTAL SOLUTIONS.
PURE AND SIMPLE.®

HVW Series



HVW High-Intensity Burner

DESCRIPTION

The ZEECO® HVW High-Intensity burner is designed to burn acid or toxic gases.

TECHNOLOGY

The ZEECO HVW burner combines superb mixing characteristics with a short flame length. This reliable, proven technology utilizes the energy of a recirculating vortex to achieve rapid combustion in relatively small volumes with varying levels of air. The high flame temperatures achieved by this technology result in superior waste destruction with no soot formation.

WHY CHOOSE ZEECO?

Zeeco leads today's global market in the design of combustion equipment. Our engineers have the experience, knowledge and tools to properly size and design your incineration system. ZEECO incineration systems have been operating around the globe for over 30 years. Our philosophy of providing customers with superior quality, on-time shipments and competitive pricing is the cornerstone of our success. Let us put our experience to work for you. Call or email us today to learn more about the full line of ZEECO incineration products and replacement components for your new or existing incineration system.



BURNERS



FLARES



INCINERATORS



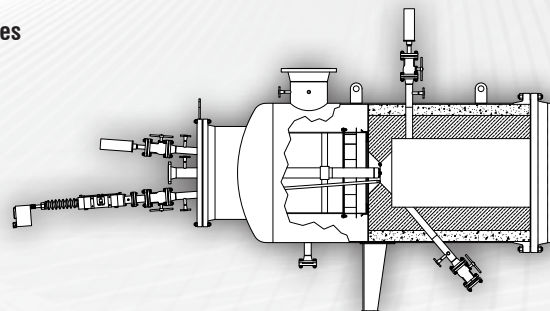
PARTS & SERVICE

COMBUSTION AND ENVIRONMENTAL SOLUTIONS.
PURE AND SIMPLE.®

High-Intensity Burner

DESIGN FEATURES

- Two fuel connections: One for refinery fuel gas and one for the acid or toxic gases
- Stable flame over a wide range of conditions
- Turndown of 3:1 or greater for most cases
- No flashback
- Long service life
- Operations with a wide range of fuels
- 310 Stainless Steel (Type HK) gas tips for refinery fuel gas, acid or toxic gases



HW High-Intensity Burner Side View

DESIGN INFORMATION

Burner Model: HW High-Intensity Gas Burner
 Fuels: Refinery Fuel Gas (RFG) and Acid or Toxic Gases
 Description: Acid or Toxic Gas Burner
 NO_x Reduction Method: None
 Combustion Air Induction: Forced Draft
 Mounting Options: Horizontal, Vertical Up, Vertical Down
 Heat Release Range: 1 MM to 125 MM Btu/hr [0.073 to 36.625 MW]
 Turndown: 3:1
 Typical Excess Air Range: Sub Stoich. to 15%

CERTIFICATIONS APPLY TO ZEECO HEADQUARTERS ONLY.



Zeeco Corporate Headquarters
 22151 East 91st Street
 Broken Arrow, Oklahoma 74014 USA
 Phone: +1.918.258.8551
 Fax: +1.918.251.5519
 E-mail: sales@zeeco.com



zeeco.com

ZEECO® is a registered trademark of Zeeco, Inc. in the U.S.
 • ZEECO office, affiliate, sales, representative, or third party representative/licensee offices.
 © COPYRIGHT 2011 - ZEECO, INC. ALL RIGHTS RESERVED